

Data sheet | Item number: 756-1303/060-200

System bus cable, straight; 20 m; fitted on one end; B-coded; M12 plug, straight; one free cable end



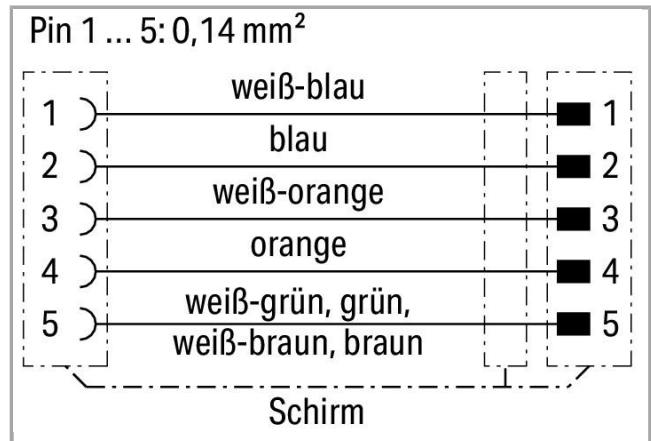
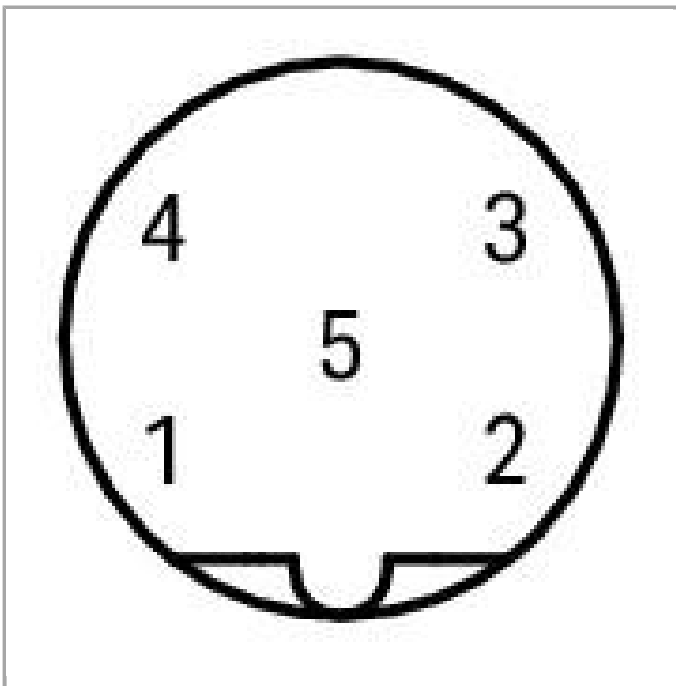
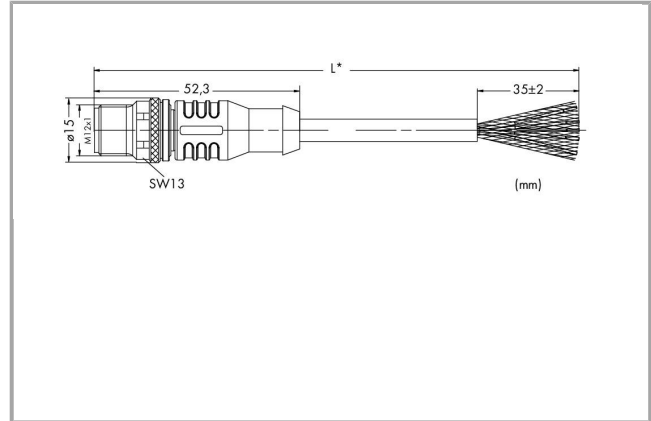
756-1303/060-200



RoHS Compliant

[BOMcheck.net](#)

Color: ■



Item description

Short description:

- PUR, halogen-free
- Silicon- and CFC-free
- Good resistance to microbes, hydrolysis, oil, chemicals and UV radiation
- Good chemical resistance
- Cable used: UL listed

Data**Technical Data**

| | |
|---|------------------------------|
| Connection type | M12 plug - free end |
| No. of poles | 5 |
| Leitungsanschlussrichtung zur Steckrichtung | 0° |
| Steckgesichtskodierung Leitung/Adapter 1 1 | B coded |
| Cable length | 20 m |
| Operating voltage | 60 V |
| Operating current | 4 A |
| Rated surge voltage | 1,5 kV gemäß IEC 61076-2-101 |
| Contact resistance | 10 MΩ |
| Insulation resistance | 5000 MΩ |
| Resistance of conductor | ≤ 145 Ω/km |

Mechanical data

| | |
|--------------------------------------|--|
| bending radius | min. 5 x cable Ø |
| Durchmesser der Mantelleitung | 6 mm |
| Bauartkurzzeichen | KS-02YS(ST+C)11Y 4x2xAWG26/7-100 Ω, geschirmt |
| Screening | Aluminum-laminated foil and tinned copper braid, optical coverage approx. 65 % |
| Conductor design | Bare copper wire, 26/7 AWG |
| Leiterisolierung | Zell-PE, Ader-Ø max. 1,0 mm |
| Housing material | TPU/TPU, black (~ RAL 9005) |
| Contact material | CuZn |
| Contact plating | CuNi/Au |
| Materialeigenschaften der Anschlüsse | Hexagon knurled nut: CuZn; Knurled nut surface: nickel-plated; Sealing ring: FPM (Viton) |
| Mating cycles | 100 |
| Tightening torque | 1 Nm |
| Weight | 766 g |
| Color | yellow |



Environmental Requirements

| | |
|---|---------------------|
| Surrounding air (operating) temperature | -25 ... 60 °C |
| Protection class | IP67 |
| Degree of pollution (5) | 3/2 per IEC 60664-1 |

Commercial data

| | |
|--------------------|---------------|
| Country of origin | DE |
| GTIN | 4045454791254 |
| Customs Tariff No. | 85444290900 |

Downloads

Documentation

System Description

| | | |
|--|---------------|--------------------------|
| I/O-SYSTEM – SPEEDWAY, General Product Information | pdf 1.1 MB | Download |
|--|---------------|--------------------------|

Subject to changes.